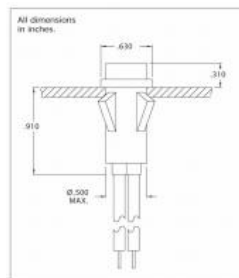


Products

Neon & Incandescent Indicators

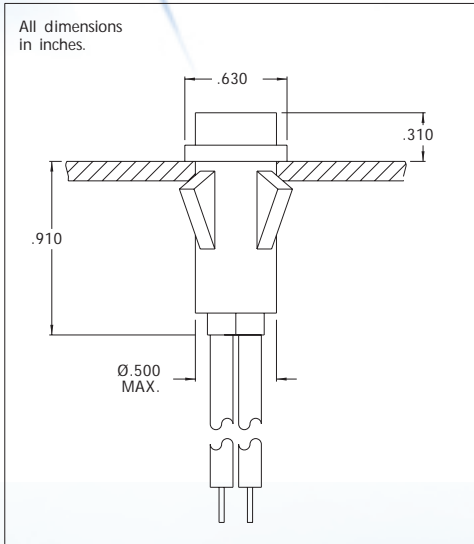
CML IT offers panel mount indicators manufactured with LED, Neon or Incandescent light sources. These indicators are available in a number of different lens and termination styles, with voltages of 2V ~ 250V available off-the-shelf.



Part Number: 1090C4-28V
Serial Number: 1090
Light Source: Incandescent
Color: White
Voltage (V): 28V
Mounting Hole (inch): 0.50
Mounting Hole (metric): 12.7
Termination: 4.5" 22 AWG wire
Bezel color: Stainless Steel
Housing color: White
UL file: E20325
CSA file: LR13346
RoHS Status: Yes

1050C, 1051C, 1052C, 1053C and 1090C Series Non-Relampable Neon-Incandescent Indicator Lights

DESCRIPTION AND FEATURES



Mounting: Will snap-fit into Ø.500/.505 hole in panels .020/.100 thick. Push-on speednut SN0461 also available.
 Mounting hole pattern on page SP2.

Wire Leads: No.22 AWG (105°C) 4.40/4.80 long, stripped .430/.570

Lens: Nylon on model 1050C1, 1050C3, 1050C4, 1051C1, 1051C3, 1051C4, Polycarbonate on all other models.

Bezel: Polished stainless steel.
 For black finish add "X" after the series letter(s).

Housing: White Nylon

Lens Color	Neon		Incandescent	
	Model No. (105-125VAC)	Model No. (208-250V)	Model No. (12V)	Model No. (28V)
Red	1050C 1	1051C 1	1090C 1-12V	1090C 1-28V
Clear	1050C 2	1051C 2	-	-
Amber	1050C 3	1051C 3	1090C 3-12V	1090C 3-28V
White	1050C 4	1051C 4	1090C 4-12V	1090C 4-28V
Green	1052C 5*	1053C 5*	1090C 5-12V	1090C 5-28V
Lamp used	C 2A+R resistor	C 2A+R resistor	#2162	#2187
Lead Color	Black	One Black/One Red	Yellow	Purple

* Incorporates G2B lamp and resistor.
 Underwriters Laboratories (UL) File No. E20325
 Canadian Standards Association (CSA) File No. LR13346